

1

2

3

4

5

6

7

8

A

A

B

B

C

C

D

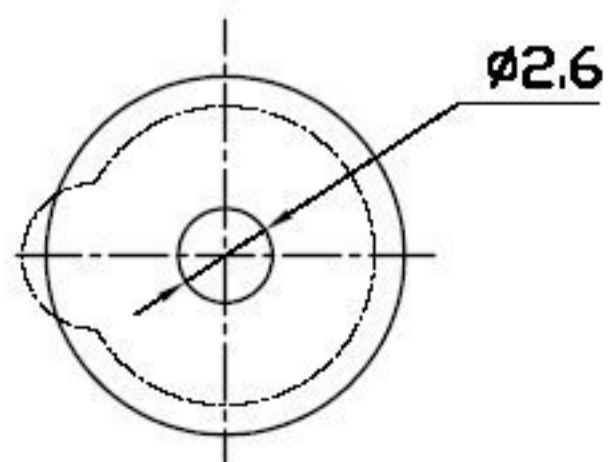
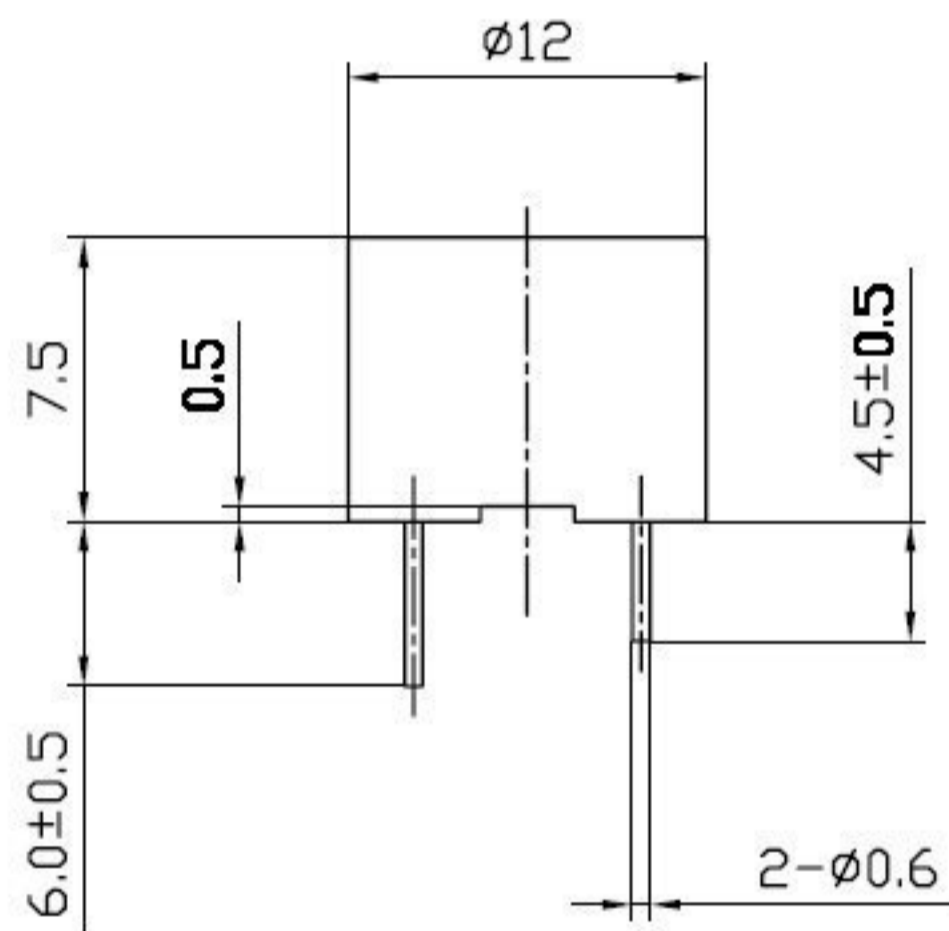
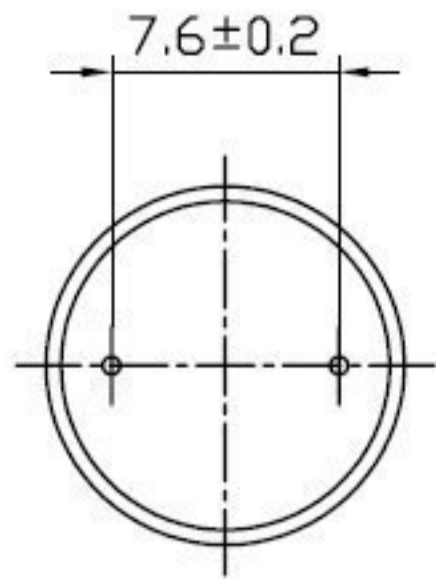
D

E

E

F

F



SPECIFICATION

- 1. Rated Voltage 6V
- 2. Operating Voltage 4~8VDC
- 3. Max. Rated Current 40mA/6V
- 4. Min. Sound Pressure Level 85dB/10cm
- 5. Resonant Frequency 2.3±0.5KHz
- 6. Response Time 50ms
- 7. Case Material PBT
- 8. Operating Temperature -20~+85°C
- 9. Store Temperature -30~+85°C
- 10. Weight 2g

				NINGBO ELECTRONIC CO.,LTD	
				CFG06	
No.	DESCRIPTION	APPROVED	DATE		
TOLERANCES UNLESS NOTED OTHERWISE X - XX ± XXX + 90° FORMED +2° ANGLES -1° FIRST ANGLE PROJECTION		APPROVALS		DATE	UNIT mm
DRAWN		CHECKED			
APPROVED		APPROVED		04.12.03	DWG NO. 843.724
				SCALE	SHEET
				NOT TO SCALE	VER 1.0

1

2

3

4

5

6

7

8